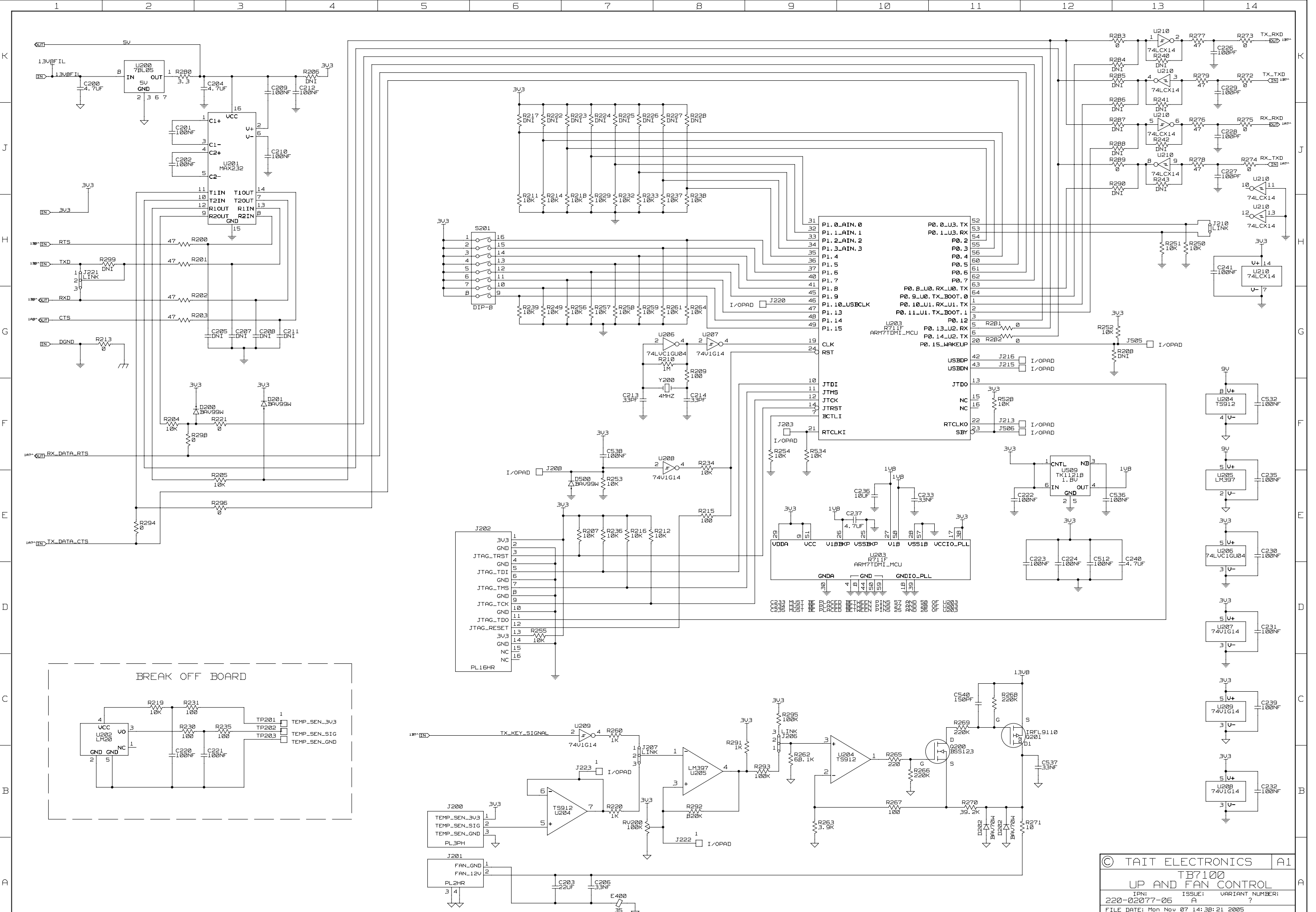


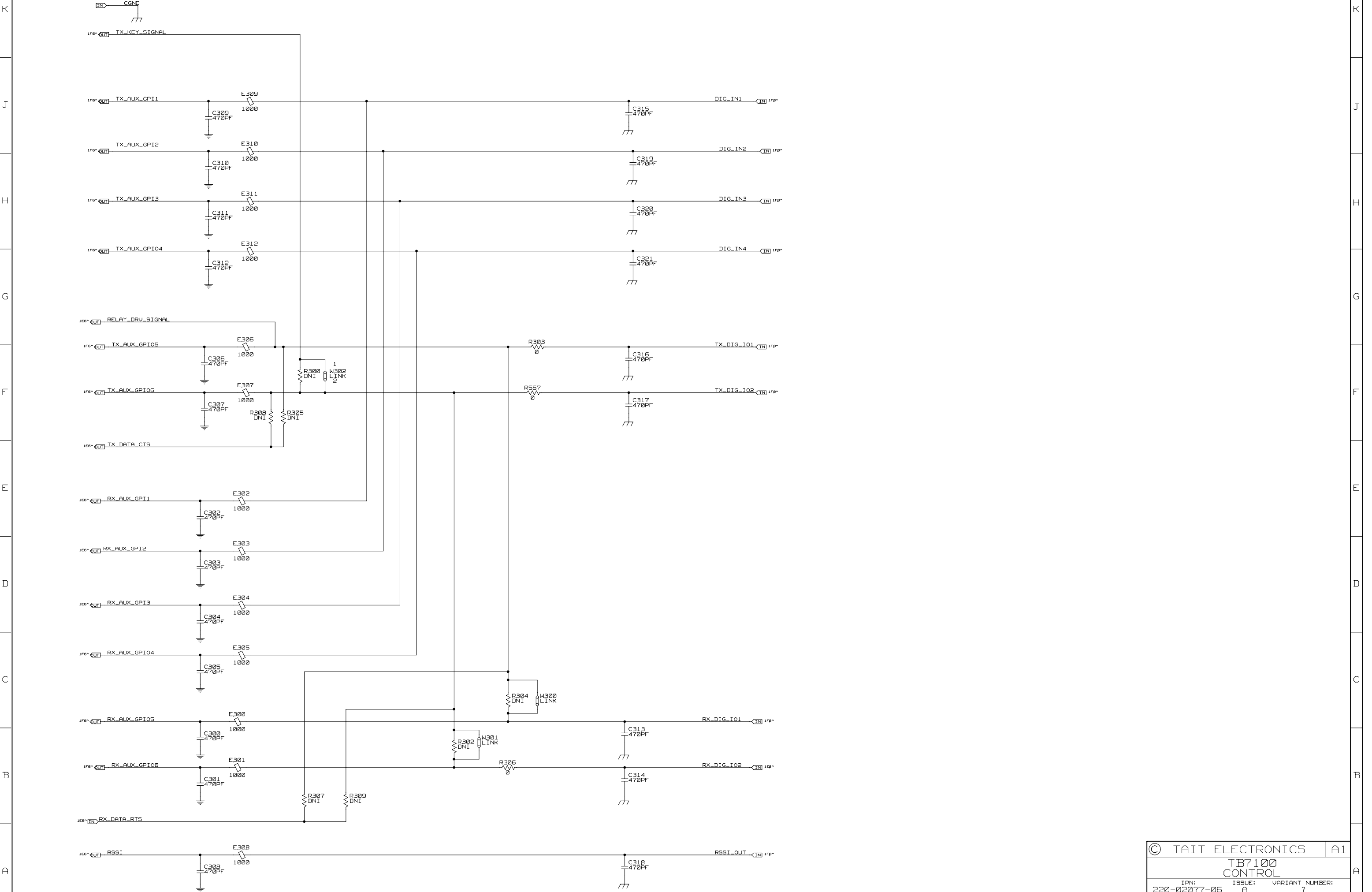
REV/ISS	AMENDMENTS	DRAWN	CHKD	D.O.	APVD	DATE
05A	ECO.101200707	TB	AC	DE	?	27-10-05
05A	ECO.101200650	TB	TB	DE	?	20-04-05
04A	DCO.02077001	MN	TB	CJK	?	20-04-05
03A	MIDIAN CTT ADDED, MICRO UPDATED, REDEIGN OF BOARD	MN	GS/TB	CJK	?	01MAR05
02A	NEW MECH INTERFACE, MINOR CIRCUIT UPDATES	MN	GS/TB	CJK	?	23DEC04
01A	INITIAL DESIGN	MN	GS/TB	ML	?	20OCT05

© TAIT ELECTRONICS		A1
TB7100 SI TOP LEVEL		
IPN: 220-02077-06	ISSUE: A	VARIANT NUMBER: ?
FILE DATE: Wed Nov 30 09:46:00 2005		
ENGINEER: A.C.	FILE NAME: 220_02077	SHEET NUMBER: 1 OF 6

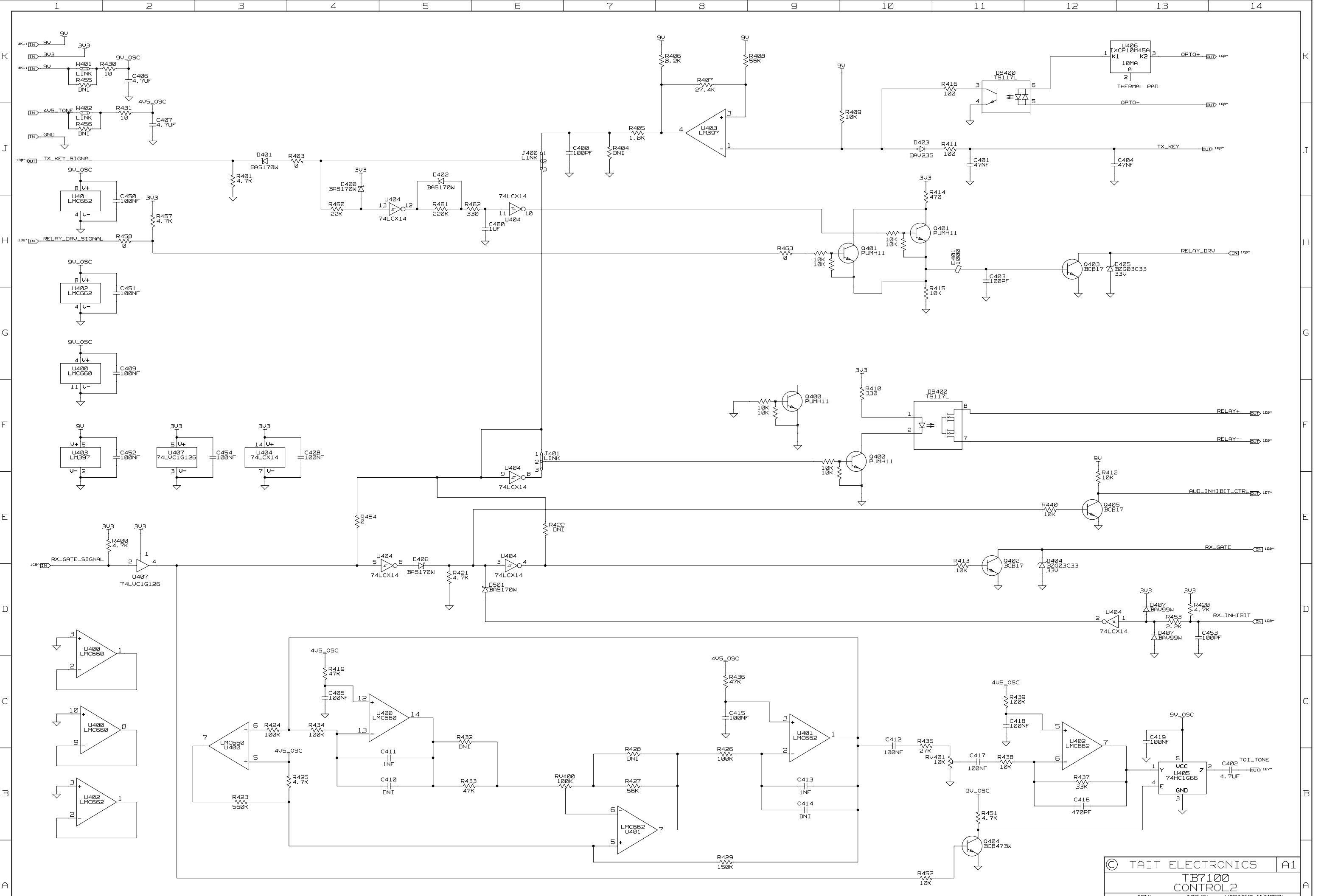


© TAIT ELECTRONICS | A1
 TB7100
 UP AND FAN CONTROL
 IPN: 220-02077-06 | ISSUE: A | VARIANT NUMBER: ?
 FILE DATE: Mon Nov 07 14:38:21 2005
 ENGINEER: A.C. | FILE NAME: 220_02077 | SHEET NUMBER: 2 OF 6

REV/ISS	AMENDMENTS	DRAWN	CHKD	D.O.	APVD	DATE
1						
2						
3						
4						

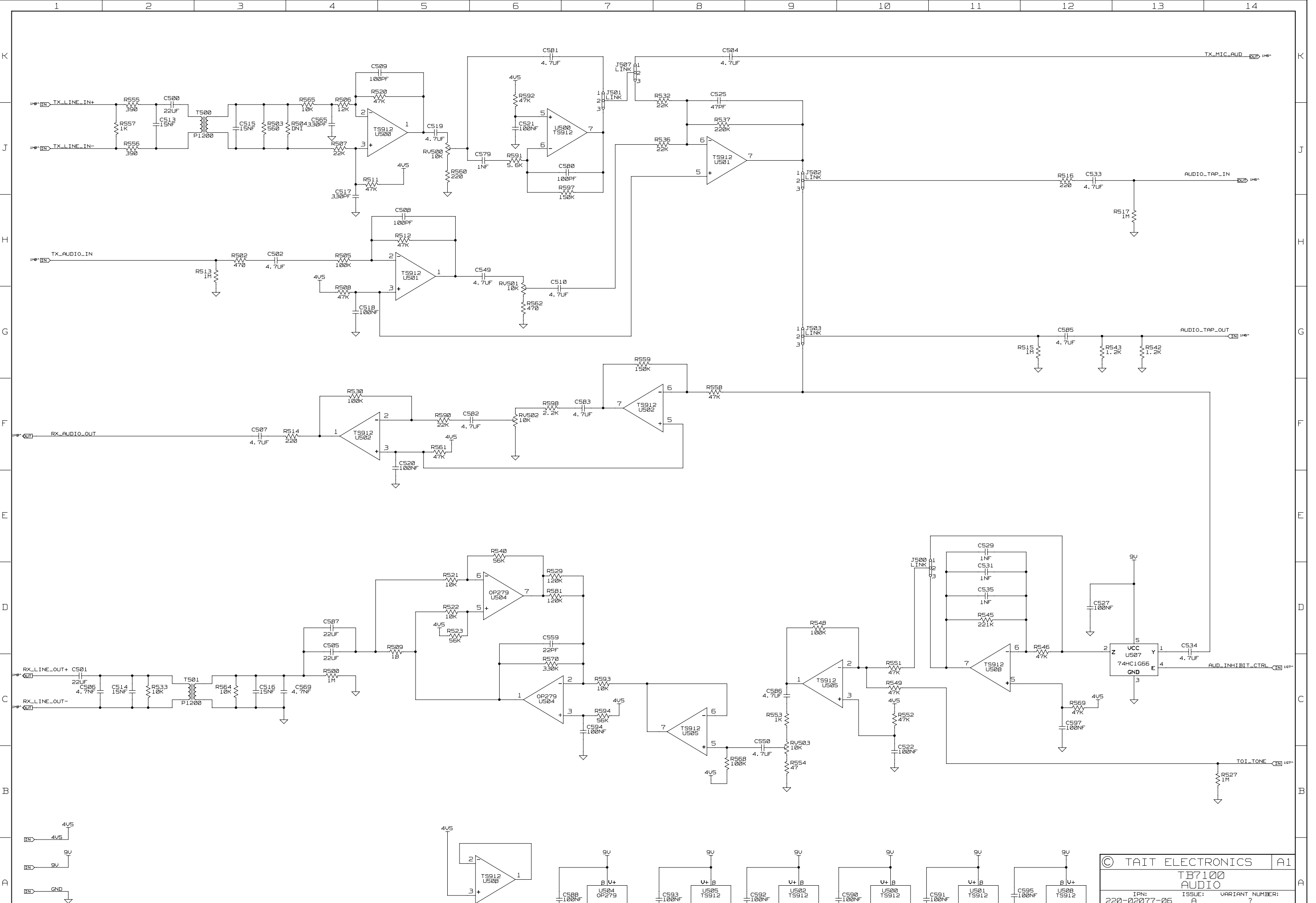


© TAIT ELECTRONICS		A1
TB7100 CONTROL		
IPN: 220-02077-06	ISSUE: A	VARIANT NUMBER: ?
FILE DATE: Mon Jul 25 10:16:55 2005		
ENGINEER: A. C.	FILE NAME: 220_02077	SHEET NUMBER: 3 OF 6



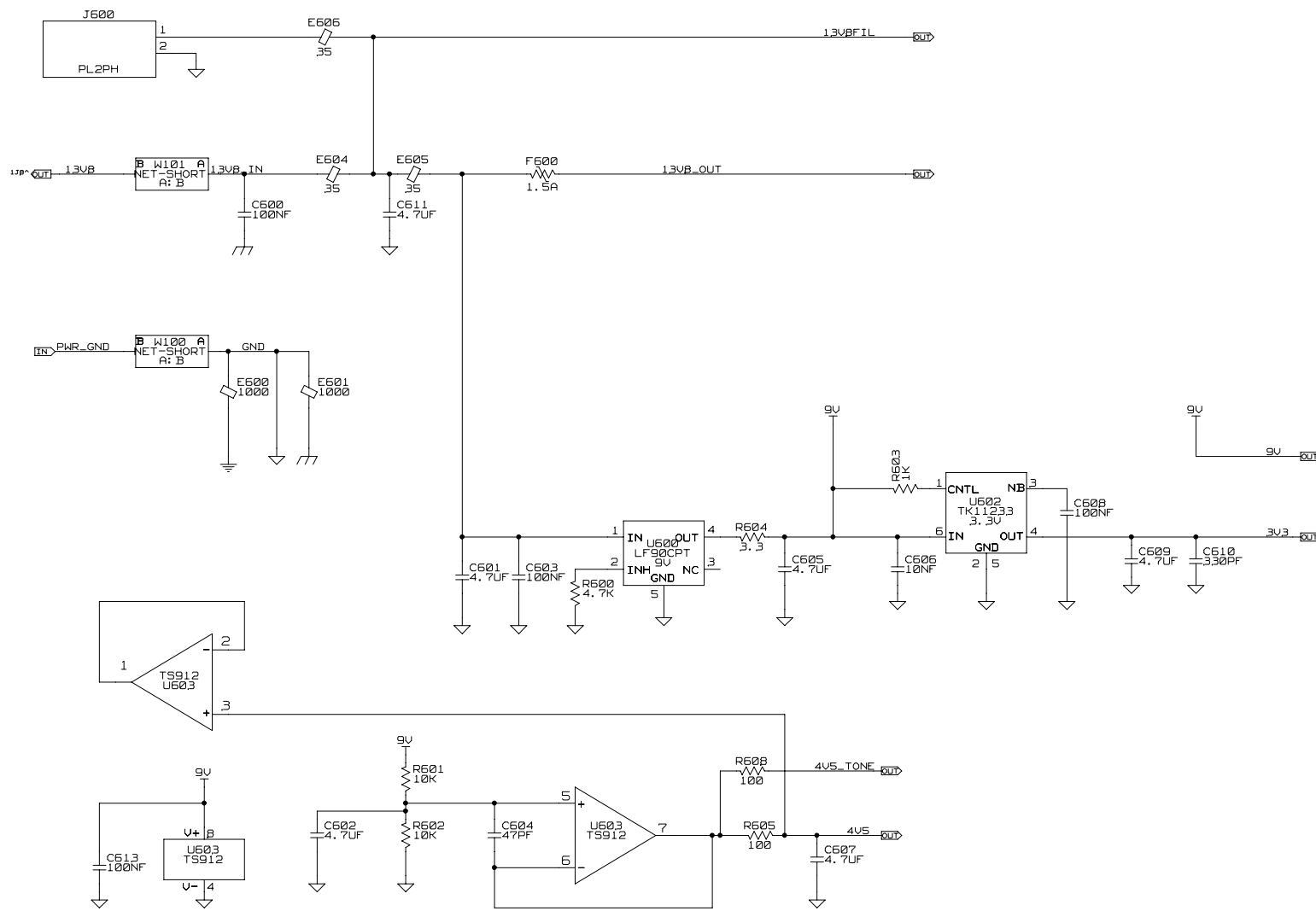
© TAIT ELECTRONICS		A1
TB7100 CONTROL2		
IPN: 220-02077-06	ISSUE: A	VARIANT NUMBER: ?
FILE DATE: Thu Oct 27 08:42:40 2005		
ENGINEER: A. C.	FILE NAME: 220_02077	SHEET NUMBER: 4 OF 6

REV/ISS	AMENDMENTS	DRAWN	CHKD	D. O.	APVD	DATE
1						
2						
3						
4						
5						



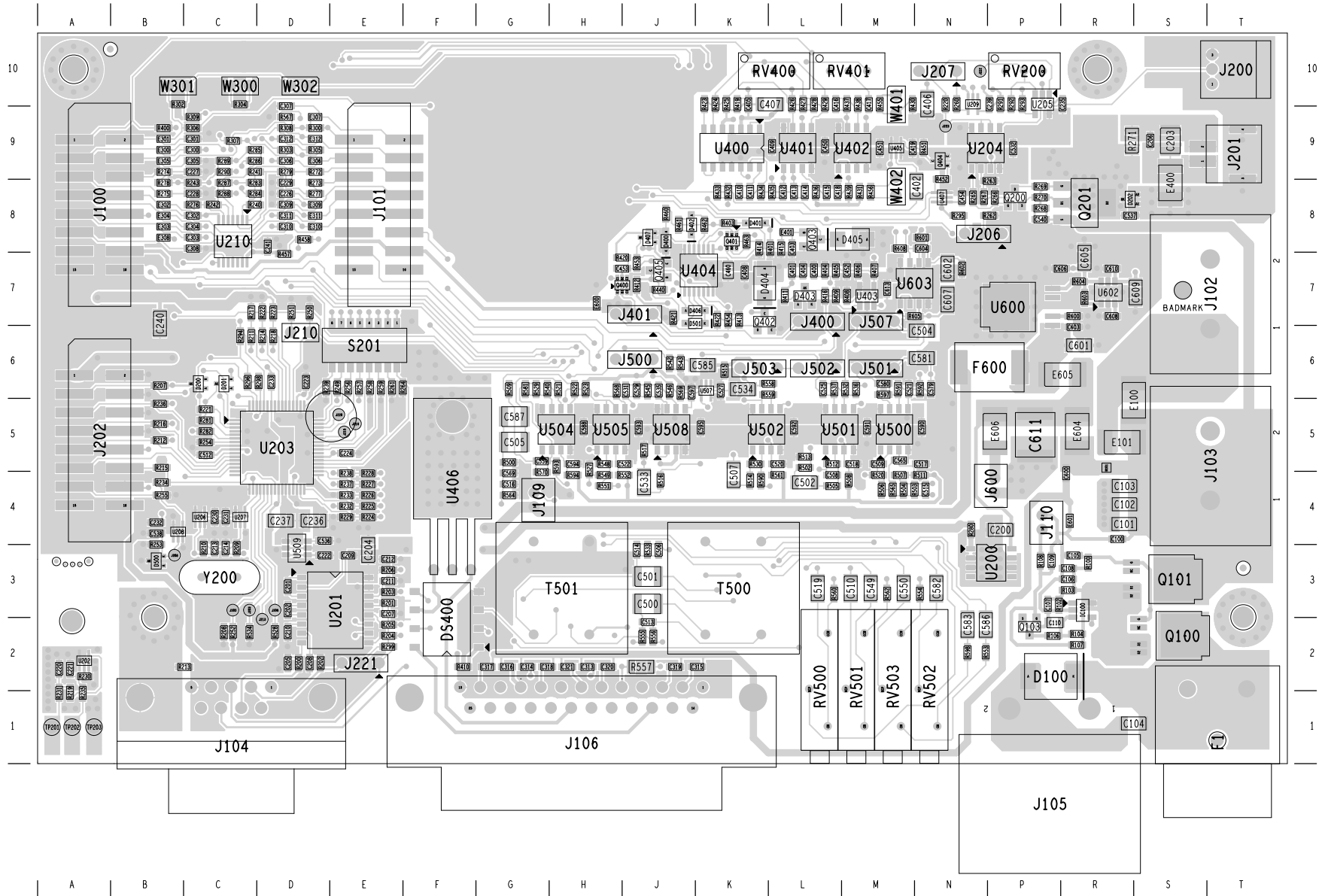
© TAIT ELECTRONICS		A1
TB7100 AUDIO		
IPN: 220-02077-06	ISSUE: A	VARIANT NUMBER: ?
FILE DATE: Fri Oct 28 14:24:36 2005		
ENGINEER: A. C.	FILE NAME: 220_02077	SHEET NUMBER: 5 OF 6

REV./ISS	AMENDMENTS	DRAWN	CHKD	D. O.	APVD	DATE
1						
2						
3						
4						

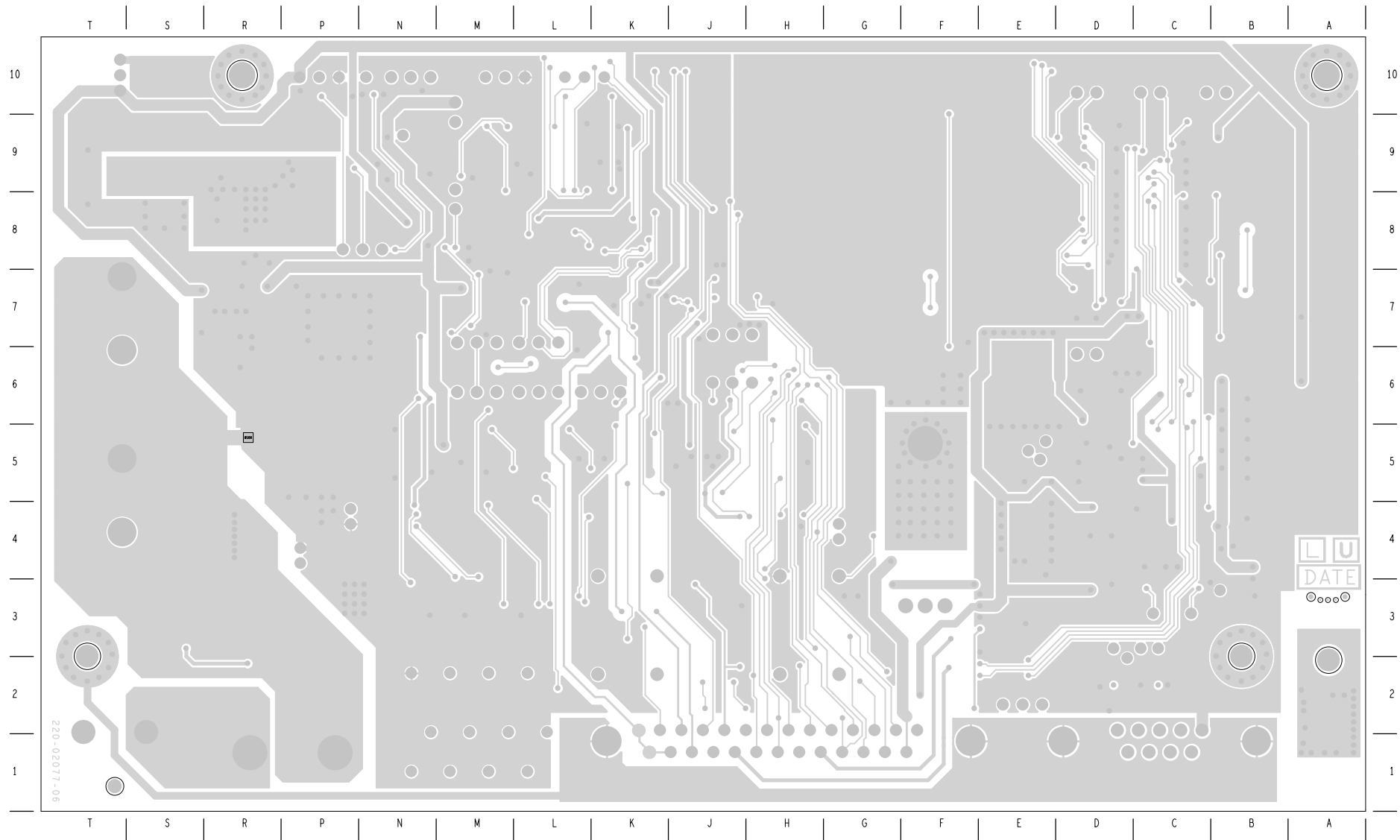


© TAIT ELECTRONICS		A1
TB7100 POWER SUPPLY		
IPN: 220-02077-06	ISSUE: A	VARIANT NUMBER: ?
FILE DATE: Mon Nov 07 13:23:53 2005		
ENGINEER: A. C.	FILE NAME: 220_02077	SHEET NUMBER: 6 OF 6

REV/ISS	AMENDMENTS	DRAWN	CHKD	D. O.	APVD	DATE
1						



TAIT ELECTRONICS	IPN:	ISS:	DATE:	SCALE:
TB7100 System Interface LAYOUT-PRIMARY-SIDE	220-02077-06	A	24Nov05	NTS



TAIT ELECTRONICS	IPN: 220-02077-06	ISS: A	DATE: 24Nov05	SCALE: NTS
TB7100 System Interface LAYOUT-SECONDARY-SIDE				